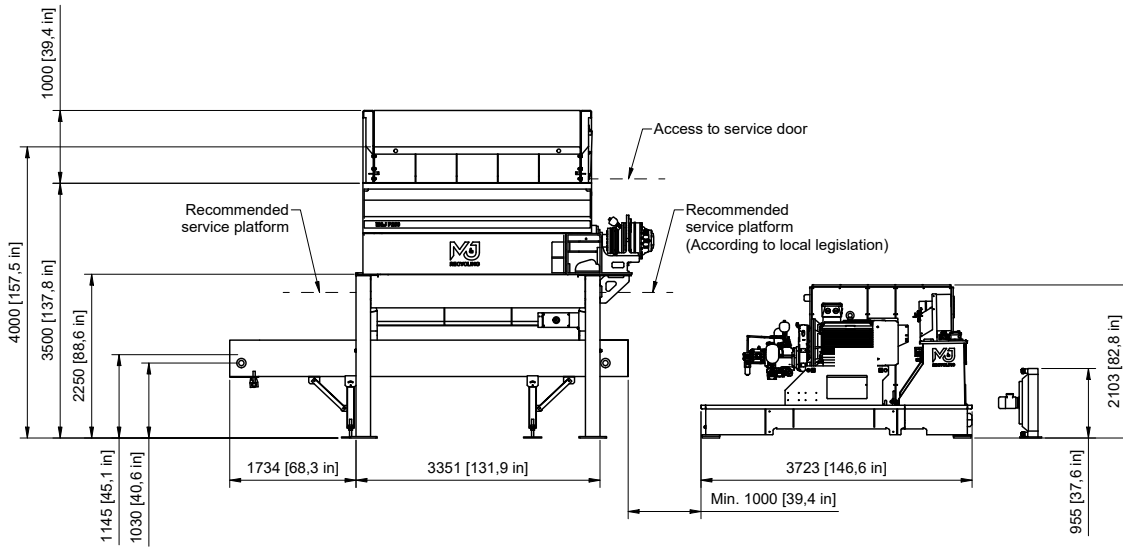


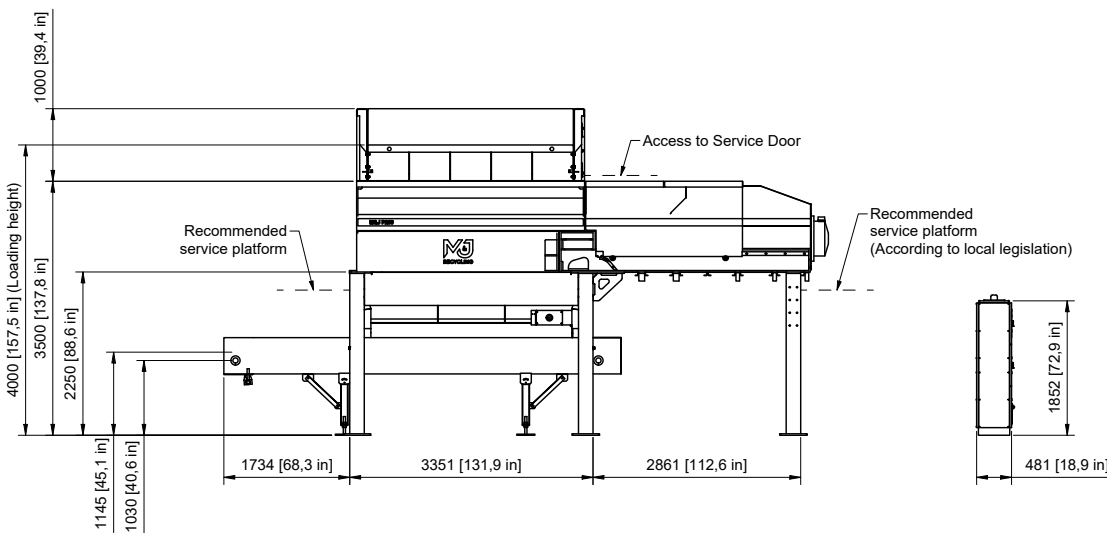
M&J P250

Waste Pre-Shredders from M&J Recycling





Version with hydraulic drive



Version with electric drive

Specification		Hydraulic	Electric
Overall dimensions shredder with standard hopper (LxWxH)	mm	5918 x 2531 x 4500	8243 x 2531 x 4500
Standard colour	RAL	7011, 9002	7011, 9002
Loading height without standard hopper	mm	4000	4000
Cutting area	mm	2474 x 2000	2474 x 2000
Power pack			
Electric motor	kW	2 x 132 / 2 x 160 / 2 x 200	2 x 110
Electric control unit		PLC	PLC
Drive principle		Double Hydrostatic Transmission	Double Direct Electrical

M&J P250



Ninja star



Dragon sword



Classic



Tomahawk



Butterfly



Tachi



Samurai



Version with hydraulic drive



Version with E-drive

Chassis		
Standard belt conveyer (LxW)	mm	5000 x 1225
Discharge heightxwidth	mm	1145 x 1225

Cutting Table		
Number of shafts	pcs	2
Rotating speed	rpm	Up to 59
Number of knives	pcs	6, 7, 8, 9, 10, 12
Cutting area (LxW)	mm	2474 x 2000
Weight complete cutting table	ton	14.2 to 15.7

Grain size *		Hydraulic	Electric
6 knives	mm	<450	<450
8 knives	mm	<300	<300
9 knives	mm	<250	<250
10 knives	mm	<200	<200
12 knives	mm	<125	

Capacity per hour **		Hydraulic	Electric
Household waste	ton	Up to 100	Up to 70
Demolition wood	ton	Up to 70	Up to 50
Industrial waste	ton	Up to 35	Up to 30***
Bulky waste	ton	Up to 50	

* 90% less than ** Depending on loading, grain size and density of the input material *** Easy to medium industrial waste



FOR MORE INFORMATION, CONTACT
YOUR LOCAL M&J REPRESENTATIVE,
OR CONTACT YOUR DEALER DIRECTLY.

[MJRECYCLING.COM](https://www.mjrecycling.com)

M & J | Vejlevej 5 | DK-8700 Horsens | Tel: +45 7626 6400 | sales@mjrecycling.com

The information in this document is provided for guidance only and as is without warranty of any kind, either express or implied, including but not limited to the implied warranties of merchantability, fitness for a particular purpose or non-infringement. Information in this document may include information not appropriate to specific configurations, or information which has not been updated. M&J Recycling has the right to make changes in the document without notice. Not all products or services are available in all countries. In no event shall M&J Recycling be liable for any damages. We reserve the right to make changes and improvements without notice. "M&J P250, UK". M&J Recycling, May 2022.