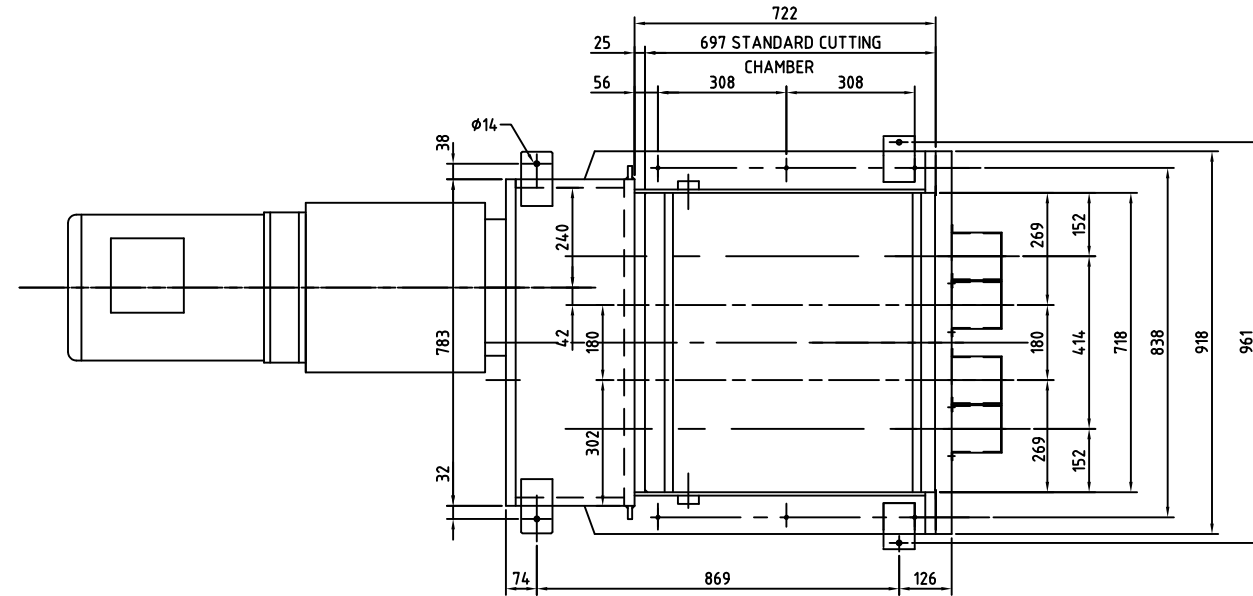
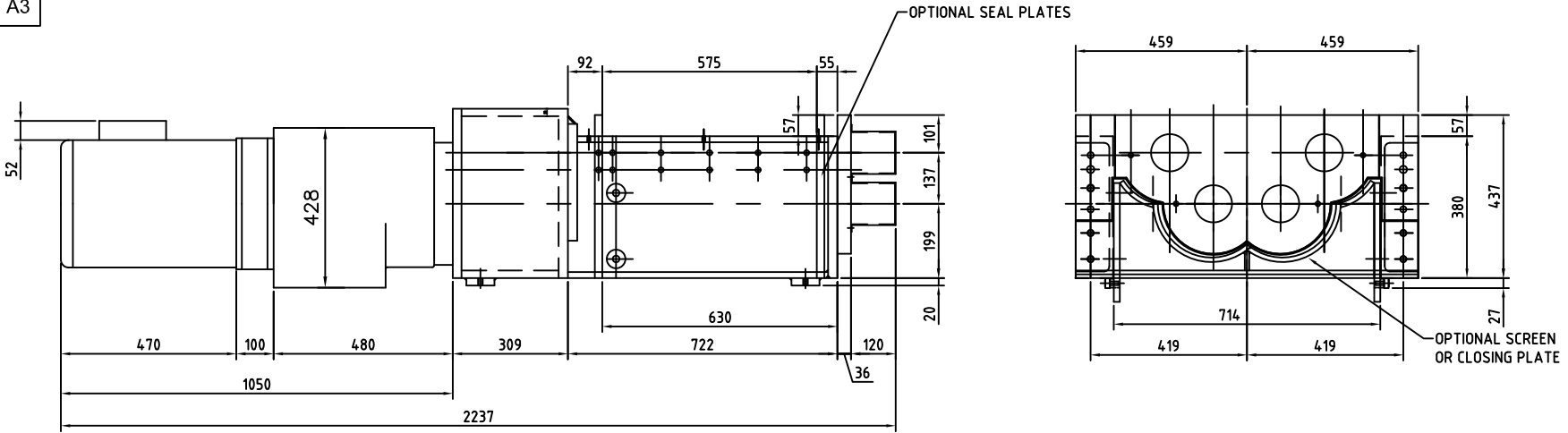


A3



AMMEND	DRN	DATE	DESCRIPTION

INDUSTRIAL SHREDDING MACHINES - RECYCLING MACHINERY  
ASSOCIATED PROJECT ENGINEERING

BRENTWOOD RECYCLING SYSTEMS IS A DIVISION  
OF BRENTWOOD ENGINEERING PTY. LTD. A.C.N. 001 309 548

BRENTWOOD PROPRIETARY - ALL RIGHTS RESERVED  
PROPERTY OF BRENTWOOD ENGINEERING PTY LTD

<h1>BRENTWOOD RECYCLING SYSTEMS</h1> <p>238 BERKELEY RD. UNANDERRA 2526 AUSTRALIA PHONE 61 2 42717511 FAX 61 2 42729339</p>		DATE	10/12/03
		SCALE	1:10
DRAWN	LOCATION		
JB	18		
<p>QS 15WL SHREDDER GENERAL ARRANGEMENT</p>		DRAWING NO.	5752A