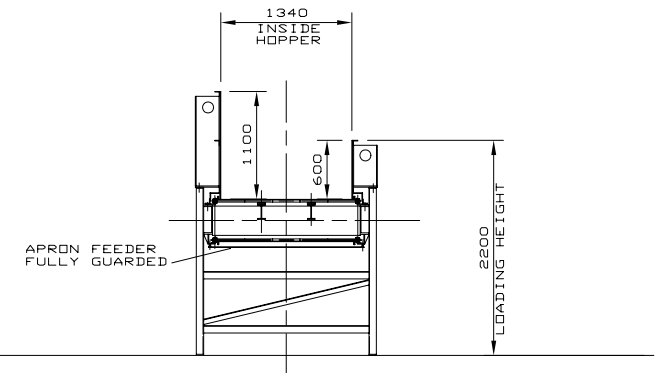
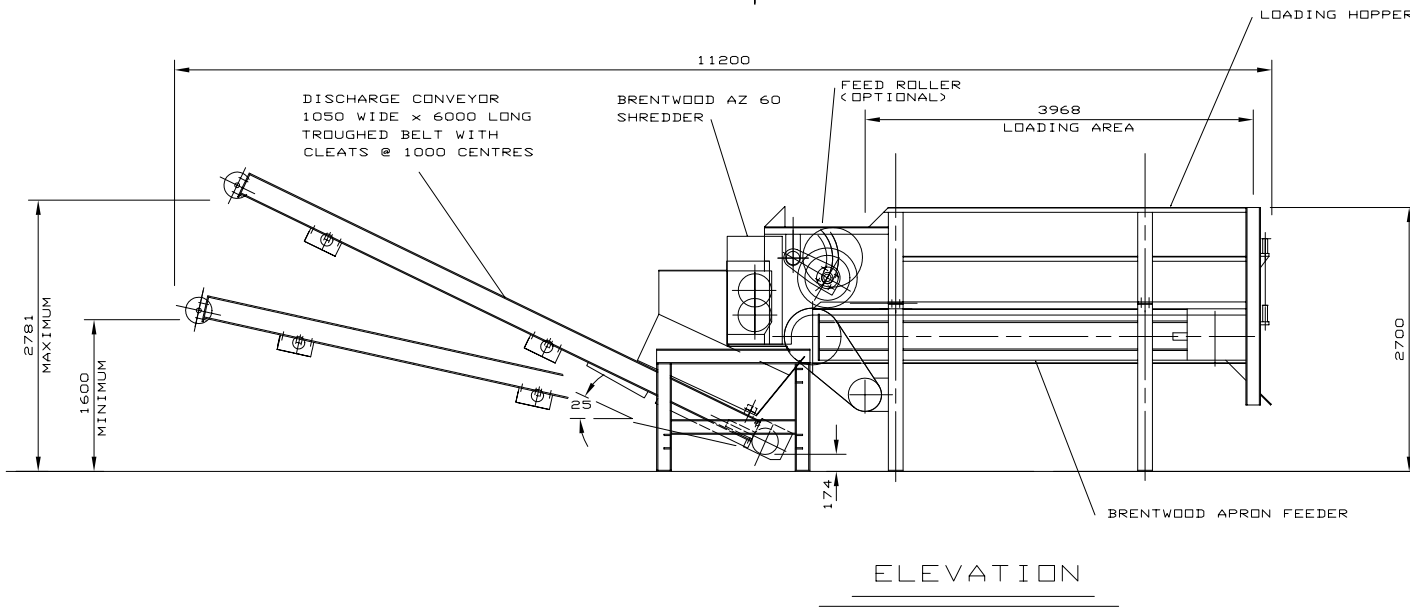


SECTION THROUGH SHREDDER & FEED ROLLER



SECTION THROUGH LOADING HOPPER

BRENTWOOD ENG P/L		DATE	21-6-93
238 BERKELEY RD. UNANDERRA 2526 AUSTRALIA		SCALE	
PHONE (042) 717511 FAX (042) 729339		DRAWN	H. J.
MULTI-PURPOSE SHREDDING PLANT-MODEL MPS 200/60		DRAWING NO.	3036