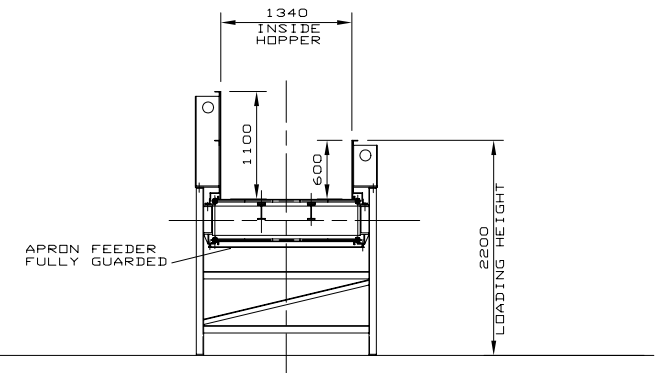
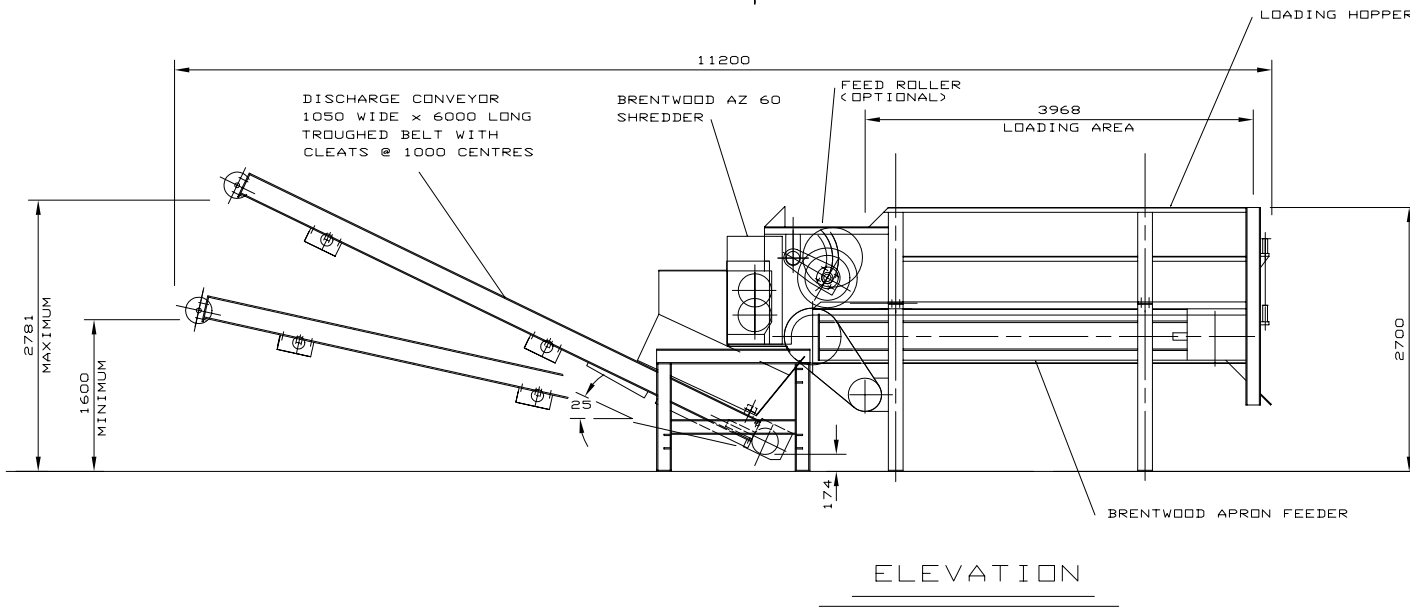


SECTION THROUGH SHREDDER & FEED ROLLER



SECTION THROUGH LOADING HOPPER

BRENTWOOD ENG P/L	DATE	21-6-93
	SCALE	
238 BERKELEY RD. UNANDERRA 2526 AUSTRALIA PHONE (042) 717511 FAX (042) 729339	DRAWN	H. J.
	DRAWING NO.	3036
MULTI-PURPOSE SHREDDING PLANT-MODEL MPS 200/60		